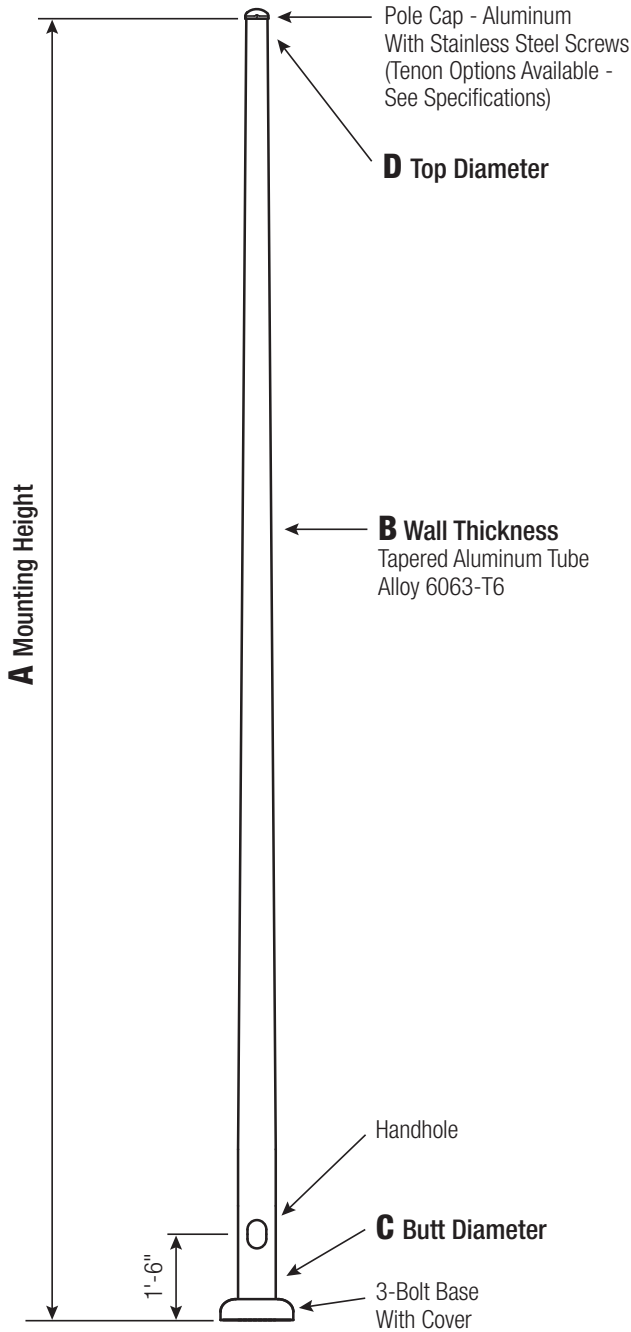


# RTA

## Round Tapered Aluminum Pole No Arm — 3-Bolt Base



Satin Aluminum or Powder Coated Finish per Customer Specification.

C BUTT DIA.	D TOP DIA.	F BOLT CIR. DIA.	G COVER DIA.	H BOLT PROJ.	I BOLT SIZE
4	3	7	9.0625	2	.75 x 17 x 3
5	3	8	10.375	2	.75 x 17 x 3

Dimensions in Inches

### Pole

The pole shaft will be constructed of seamless extruded tube of 6063 Aluminum Alloy per the requirements of ASTM B221. The shaft assembly shall be full-length heat treated after base weld to produce a T6 temper.

### Base Style

3-Bolt Cast Aluminum Base Flange of Alloy 356-T6 with Spun Aluminum Base Cover and Stainless Steel Hex Head Attaching Screw.



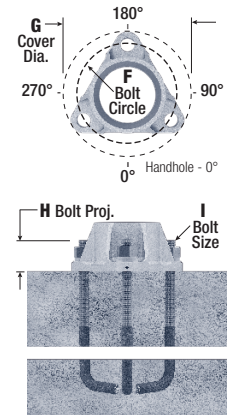
### Handhole

4"-5" Butt Diameters - 2" x 4" Handhole with curved Lap Style Aluminum Door and two (2) Stainless Steel Self-Tapping Attaching Screws. A Grounding Provision incorporating a tapped 1/4"-20NC hole is provided opposite the Handhole.



### Anchorage

Anchorage Kit will include three (3) L-shaped Steel Anchor Bolts conforming to AASHTO M314-90 Grade 55. Ten inches (10") of Threaded End will be Galvanized per ASTM A153. Kits will contain three (3) Hex Nuts, three (3) Lock Washers, and three (3) Flat Washers (all components Galvanized Steel). A bolt circle template will be provided.



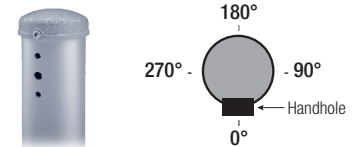
### Vibration Damper

When determined necessary by Hapco, a Vibration Damper will be factory-installed inside the pole shaft. Customer specification of the damper is available.

### Mounting Designation

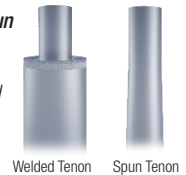
#### Side Drill Mount

For Side Drill Mount applications specify luminaire type, quantity and orientation. A luminaire drilling template must be supplied at time of order.



#### Tenon Mount - Welded or Spun

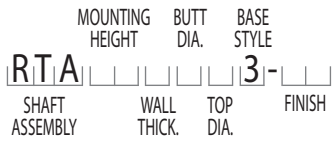
For Tenon Mount applications specify both Tenon diameter (2.375", 2.875", 3.5", etc.) and length (3", 4", etc.). Tenon style is factory option. Welded Tenon can be specified.



A MTG. HGT.	B WALL THICKNESS	C BUTT DIAMETER	TOTAL LUM. WEIGHT	MAXIMUM EPA					OLD CAT. NUMBER	CATALOG NUMBER
				90	100	110	120	130		
06	0.125"	4	100	16.0	12.8	12.0	10.0	8.4	76-001	RTA06B4A3-**-
08	0.125"	4	100	11.0	8.6	8.0	6.6	5.4	76-002	RTA08B4A3-**-
10	0.125"	4	70	8.0	6.2	5.6	4.6	3.6	76-003	RTA10B4A3-**-
10	0.125"	5	100	15.6	12.4	11.4	9.4	7.8	76-017	RTA10B5A3-**-
12	0.125"	4	45	6.0	4.6	4.2	3.2	2.4	76-004	RTA12B4A3-**-
12	0.125"	5	100	12.0	9.4	8.6	7.0	5.8	76-009	RTA12B5A3-**-
12	0.156"	5	100	15.2	12.0	11.0	9.0	7.4	76-009W3	RTA12C5A3-**-
12	0.188"	5	100	18.4	14.6	13.4	11.0	9.2	76-009W4	RTA12D5A3-**-
14	0.125"	4	35	4.4	3.2	3.0	2.2	1.6	76-005	RTA14B4A3-**-
14	0.125"	5	80	9.6	7.2	6.6	5.2	4.2	76-010	RTA14B5A3-**-
14	0.156"	5	100	12.2	9.4	8.6	7.0	5.6	76-021	RTA14C5A3-**-
14	0.188"	5	100	14.8	11.6	10.6	8.6	7.0	76-022	RTA14D5A3-**-
16	0.125"	4	25	3.4	2.2	2.0	1.2	-	76-006	RTA16B4A3-**-
16	0.125"	5	55	7.6	5.8	5.2	4.0	3.0	76-011	RTA16B5A3-**-
16	0.156"	5	80	9.8	7.6	6.8	5.4	4.2	76-029	RTA16C5A3-**-
16	0.188"	5	100	12.0	9.2	8.6	6.8	5.4	76-030	RTA16D5A3-**-
18	0.125"	5	35	6.0	4.4	3.8	2.8	2.0	76-007	RTA18B5A3-**-
18	0.156"	5	55	8.0	5.8	5.4	4.0	3.0	76-031	RTA18C5A3-**-
18	0.188"	5	80	9.8	7.4	6.8	5.2	4.0	76-032	RTA18D5A3-**-
20	0.125"	5	25	4.6	3.2	2.8	1.8	1.2	76-008	RTA20B5A3-**-
20	0.156"	5	35	6.4	4.6	4.0	3.0	2.2	76-033	RTA20C5A3-**-
20	0.188"	5	55	8.0	5.8	5.2	4.0	3.0	76-034	RTA20D5A3-**-

**Catalog Number System**

The catalog number for Hapco poles utilizes the following identification system.



**Catalog Number Example -**

**RTA 20 C 5 A 3 - 01**

Round Tapered Aluminum, 20' Mounting Height, .156" Wall Thickness, 5" Butt Diameter, 3" Top Diameter, 3-Bolt Base, Satin Aluminum Finish.

**Wall Thickness**

- B = .125"
- C = .156"
- D = .188"

**Butt Diameter**

- 4 = 4"
- 5 = 5"

**Top Diameter**

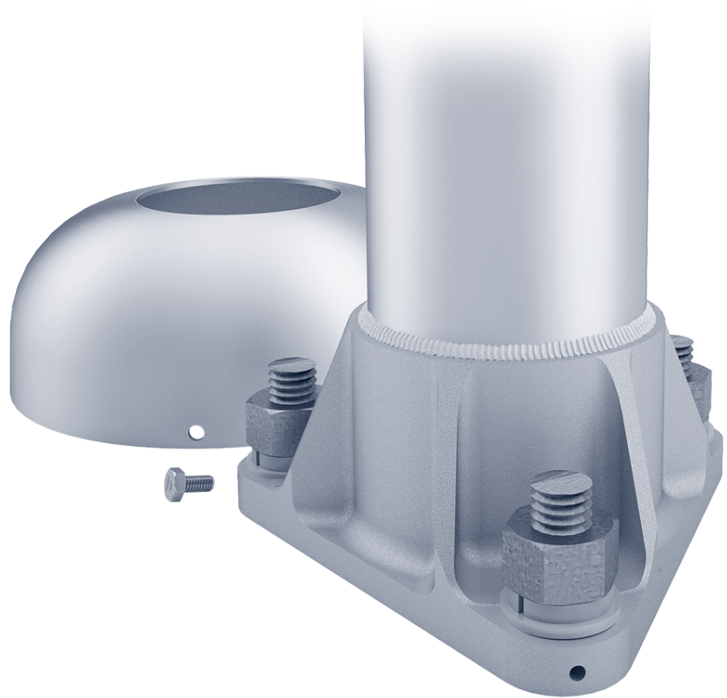
- A = 3"

**Base Style**

- 3 = 3-Bolt Base

**Finish**

- 01 = Satin Aluminum
- BA = Black Powder Coat
- BH = White Powder Coat
- BM = Dark Bronze Powder Coat
- BV = Dark Green Powder Coat
- GC = Gray Powder Coat
- \*\* = Specify Finish



**EPA Notes:**

Effective Projected Area (EPA) in square feet. EPA's calculated using wind velocity (mph) indicated in accordance with 2009 AASHTO LTS-5 using a 25 year design life. Maximum EPA is based on the luminaire weight shown. Increased luminaire weight may reduce the maximum EPA. If weight is exceeded, or if other design life or code is required, please consult the factory.